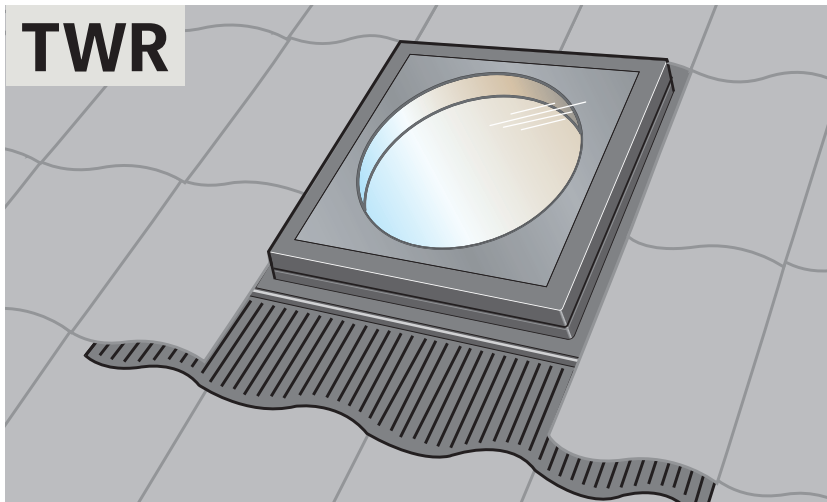
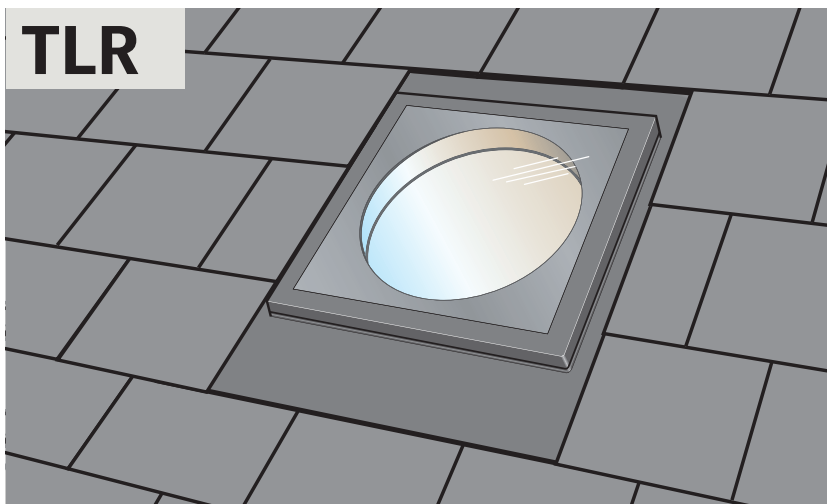


TWR



Pages
2-15
+
25-35

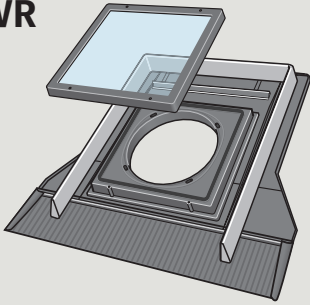
TLR



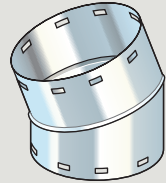
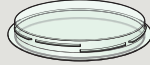
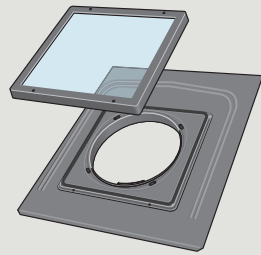
Pages
2-3
+
16-35



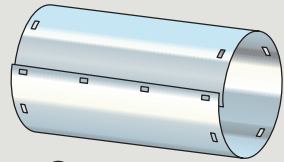
TWR



TLR

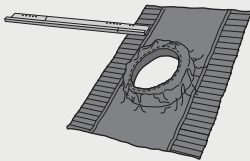


2 x

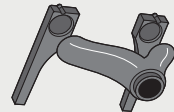


2 x

BFX



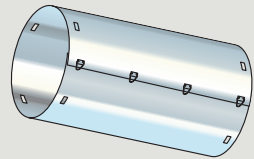
ZTV

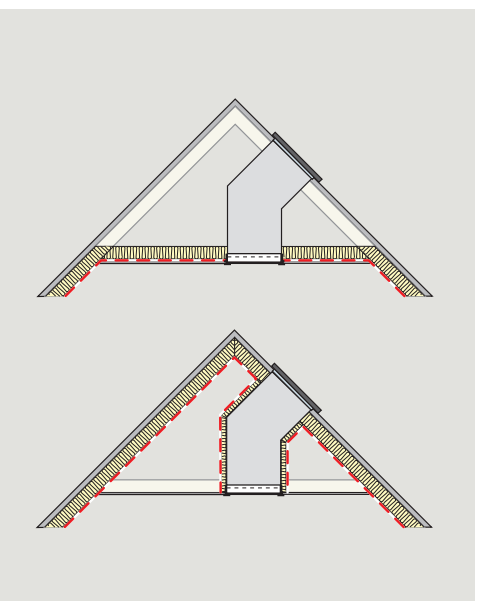
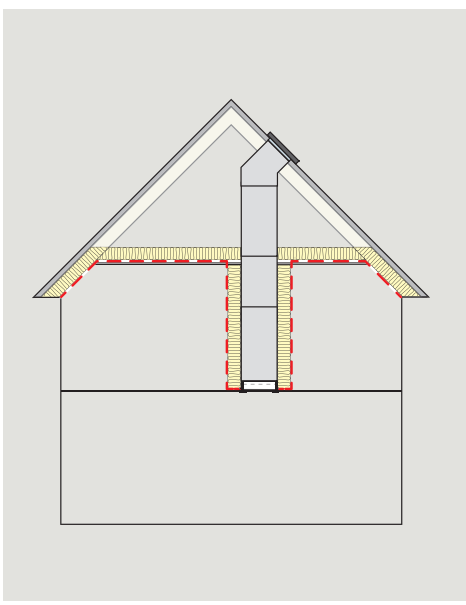
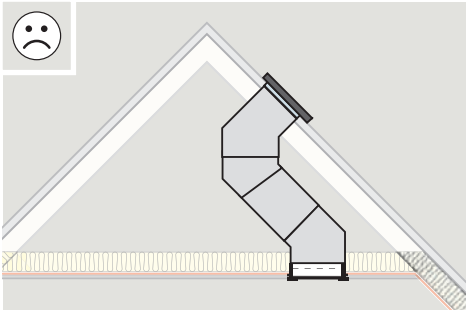
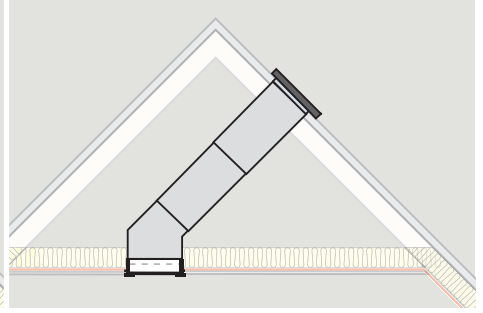
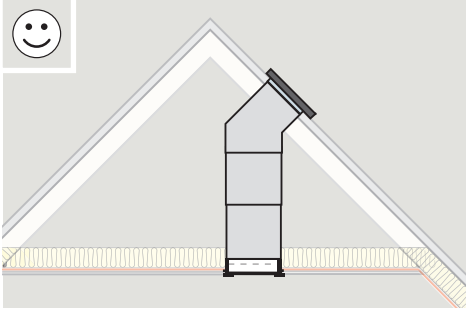


ZTL

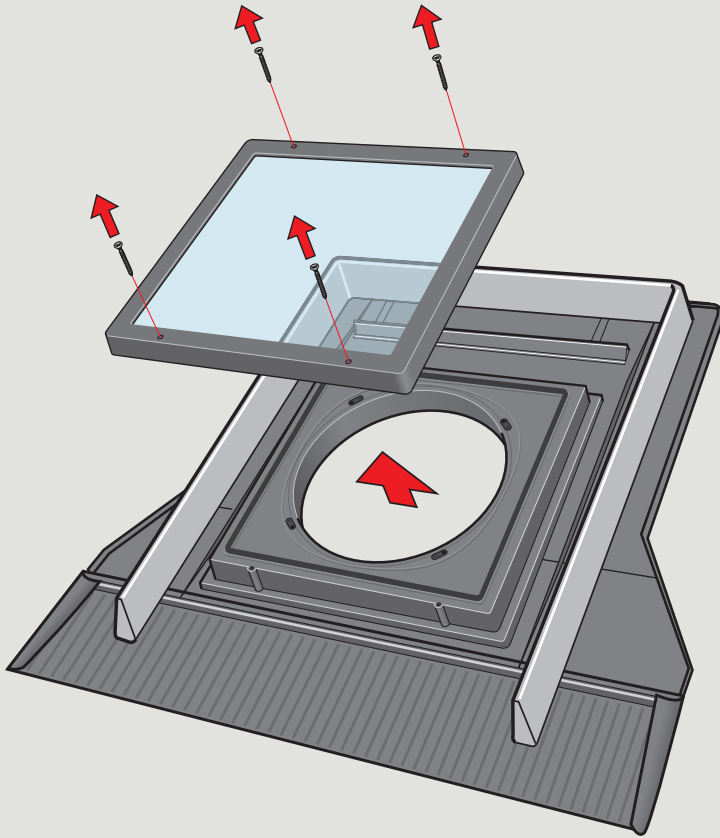


ZTR

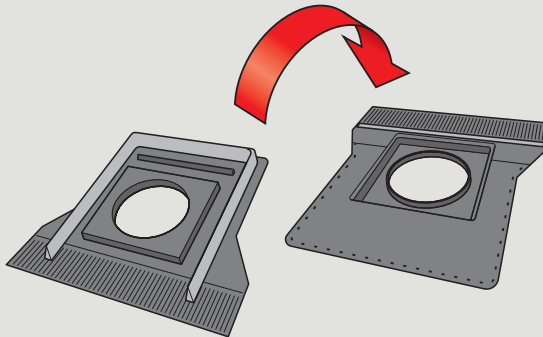




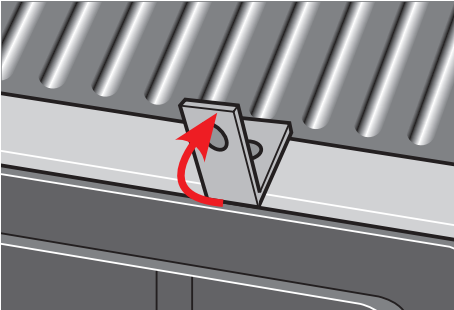
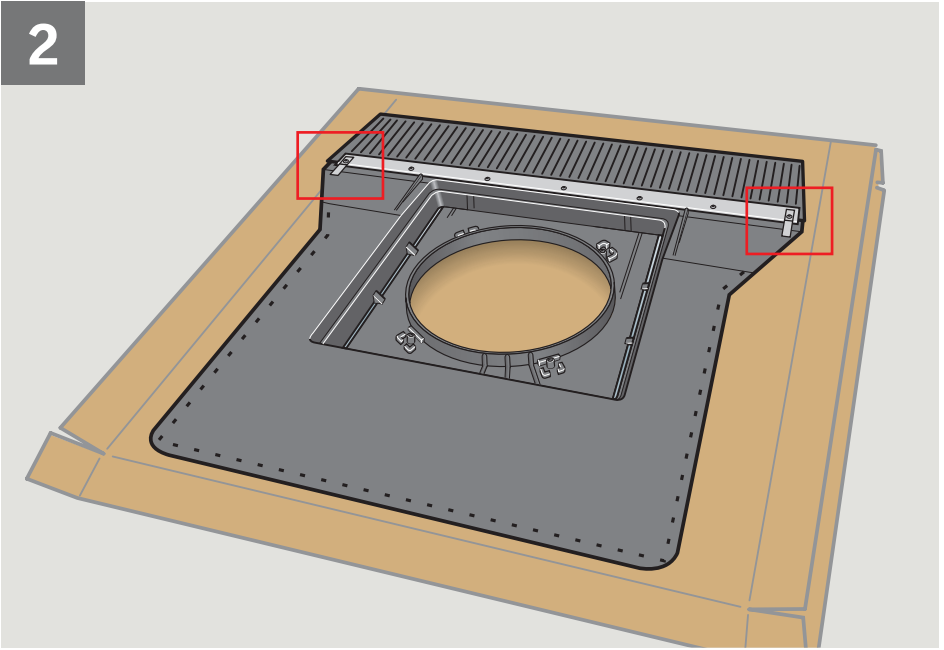
1



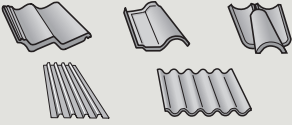
T15




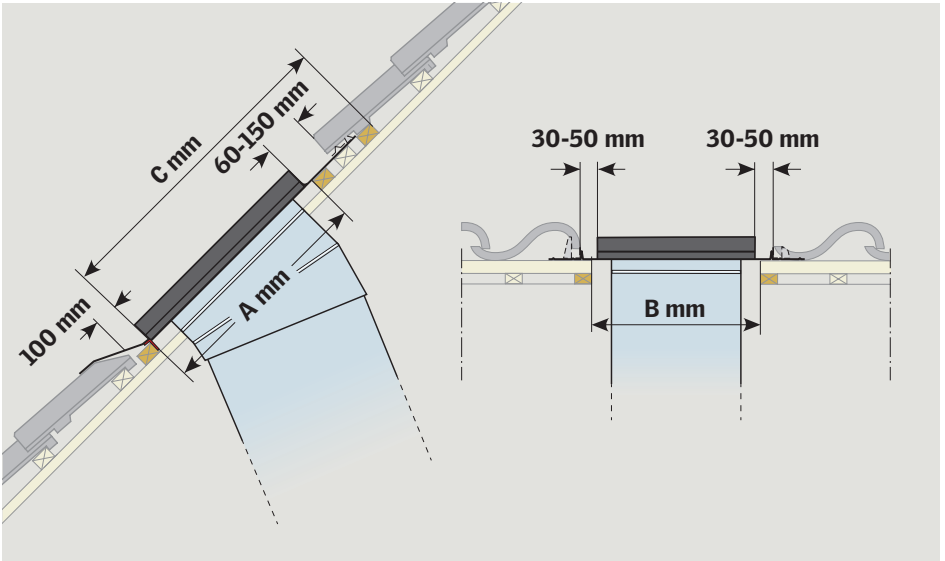
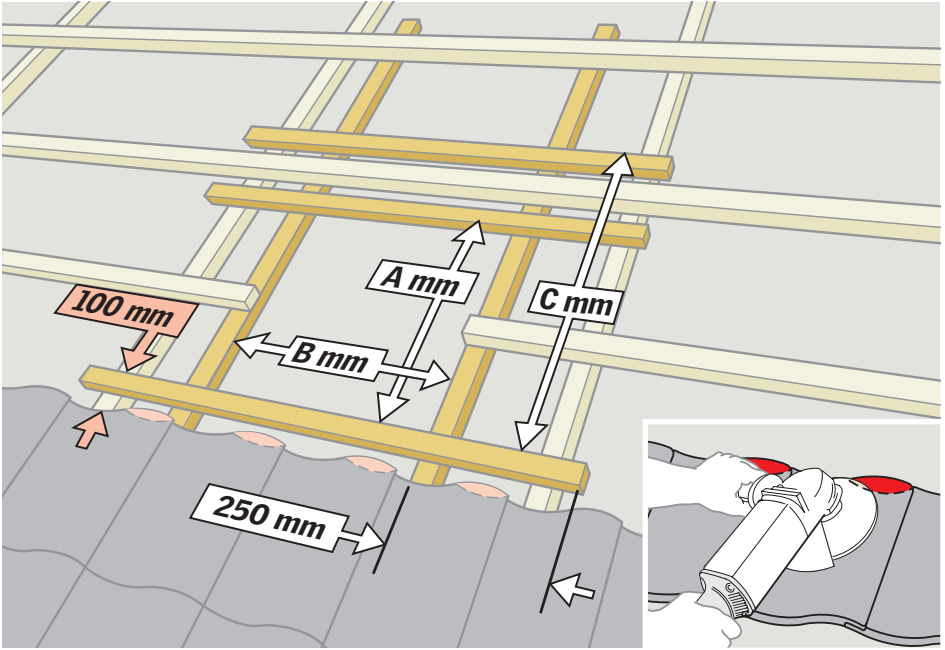
2



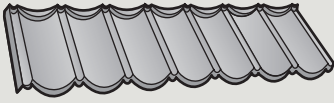
3a




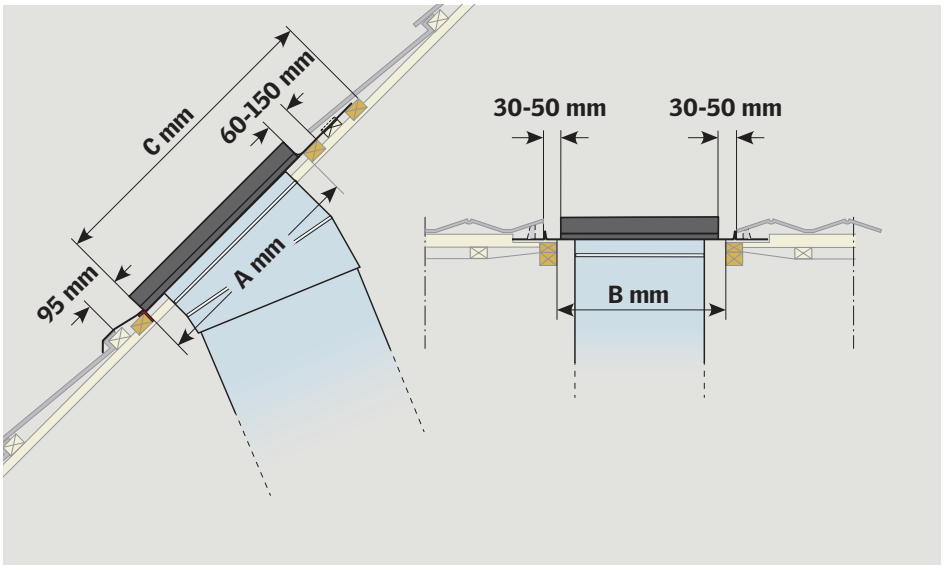
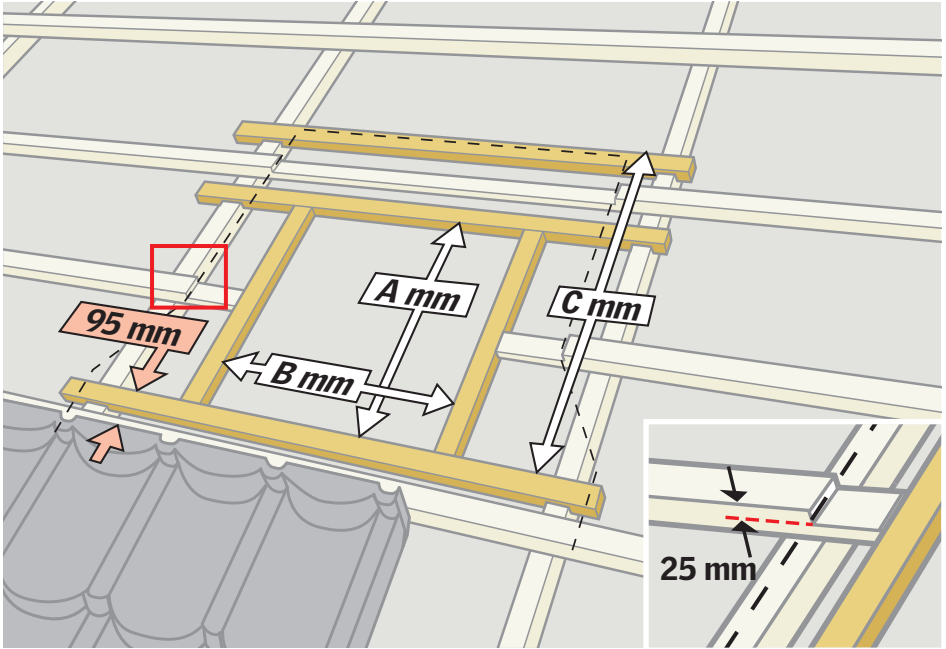
	A mm	B mm	C mm
TWR OK10	360-420	400	600
TWR OK14	460-520	500	700



3b




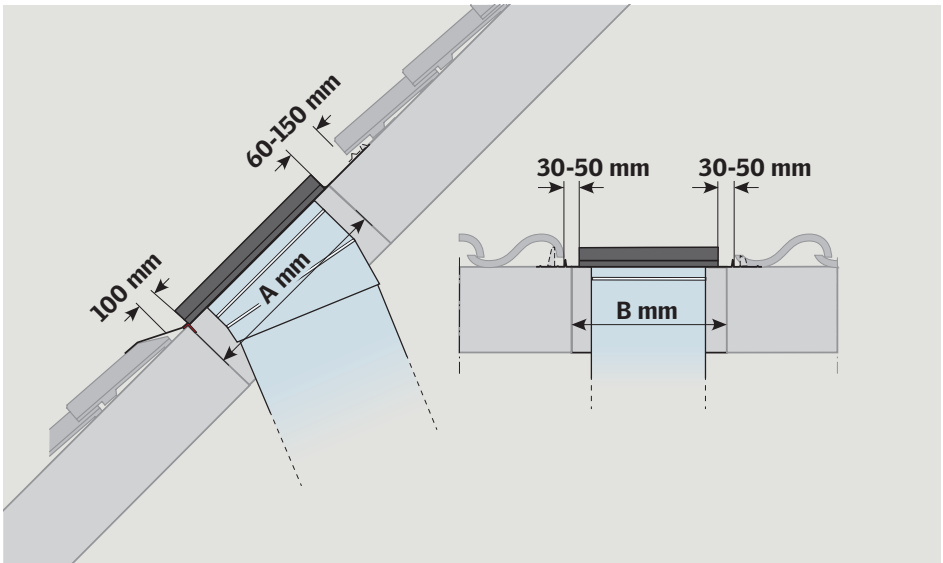
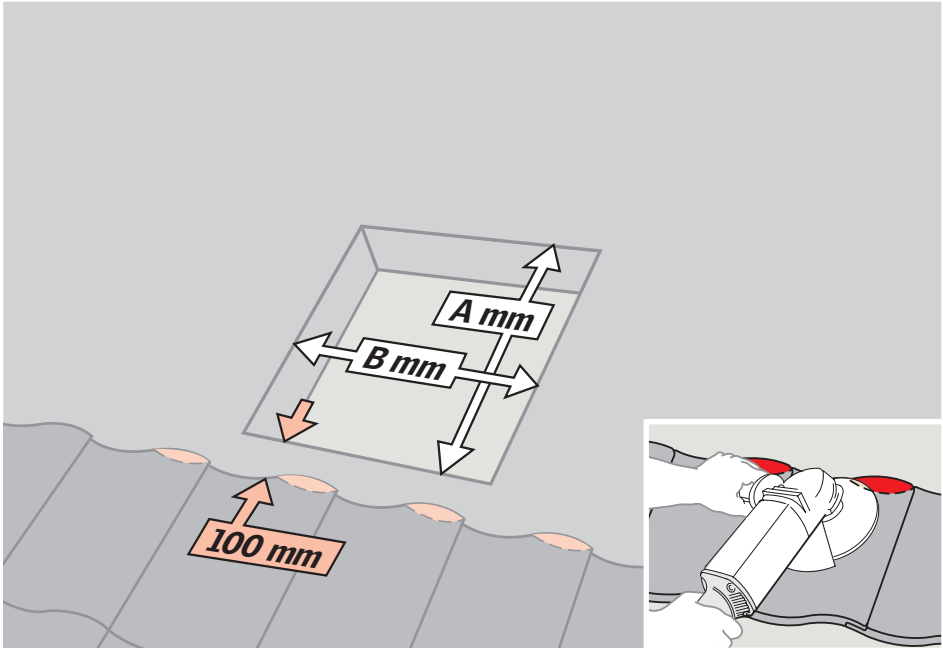
	A mm	B mm	C mm
TWR OK10	360-420	400	600
TWR OK14	460-520	500	700



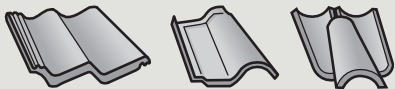
3c



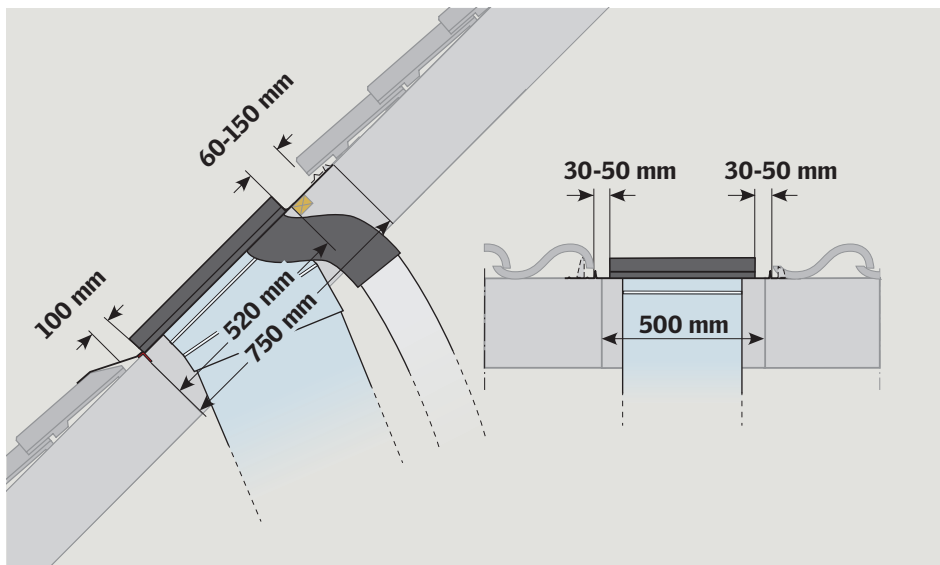
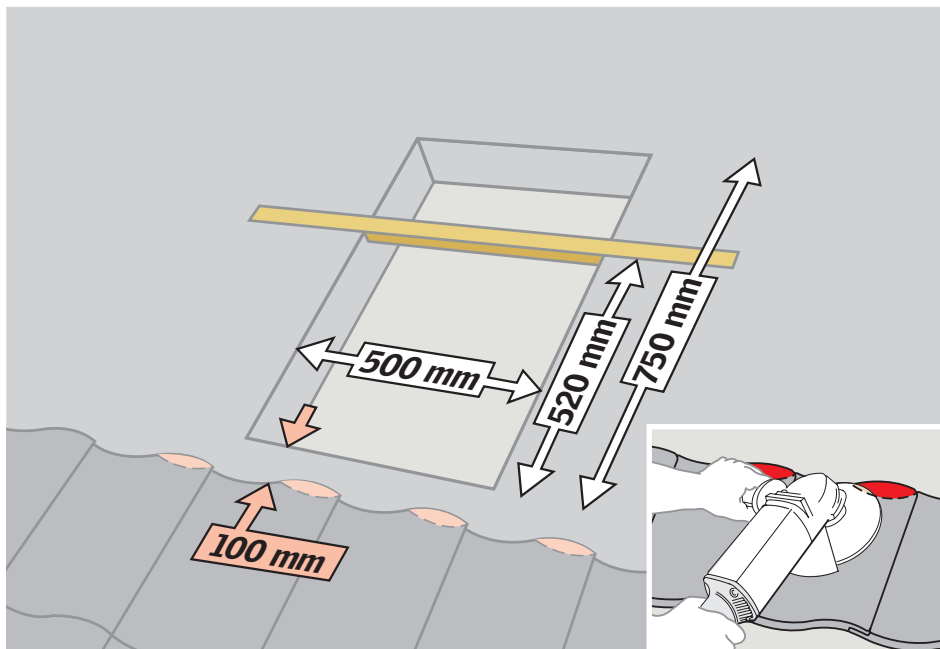
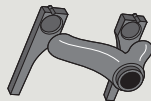
	A mm	B mm
TWR OK10	420	380
TWR OK14	520	500



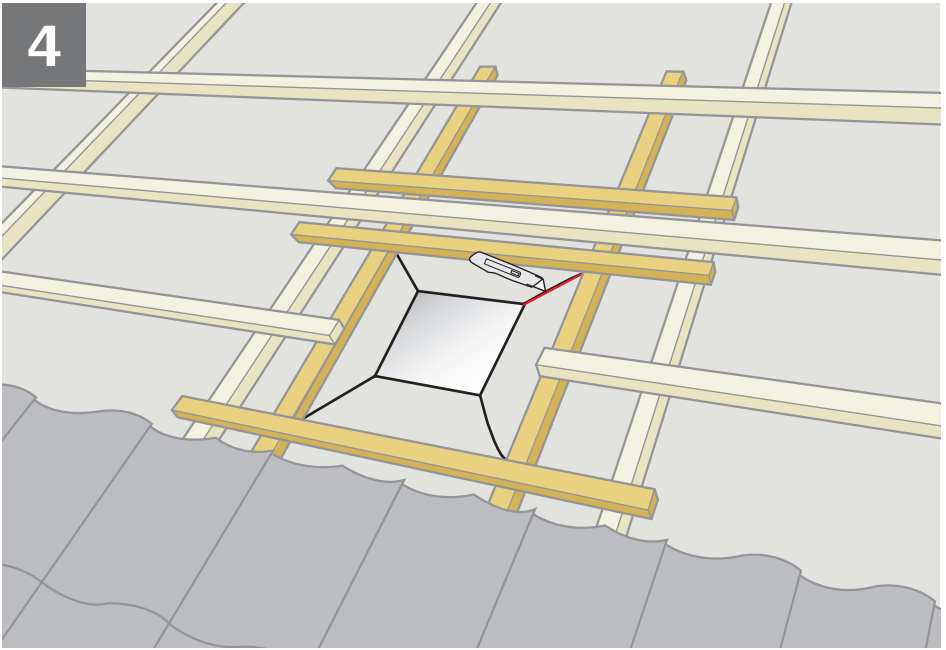
3d



TWR OK14 + ZTV

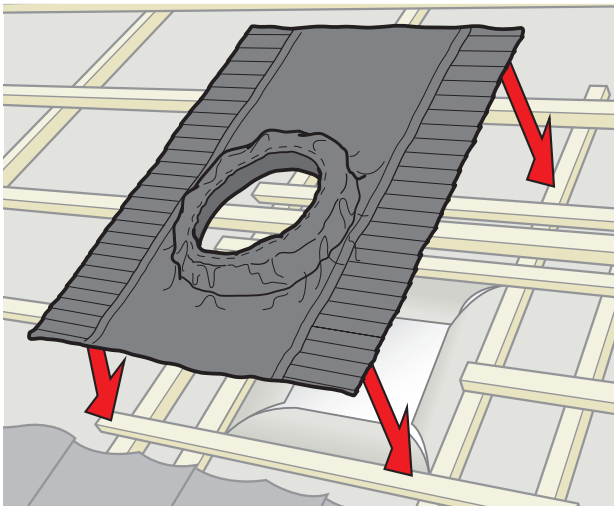
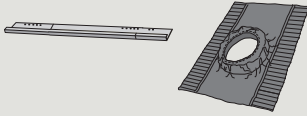


4

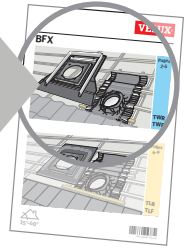


5a

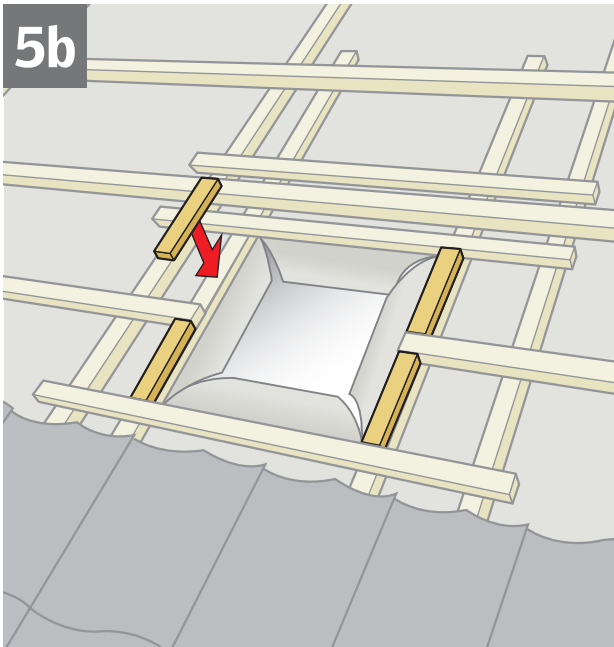
BFX

BFX

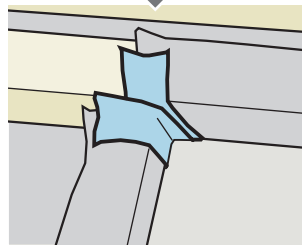
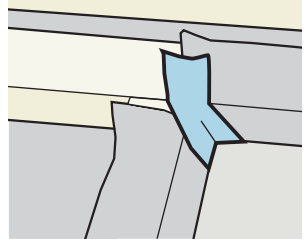
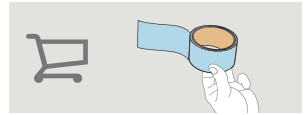
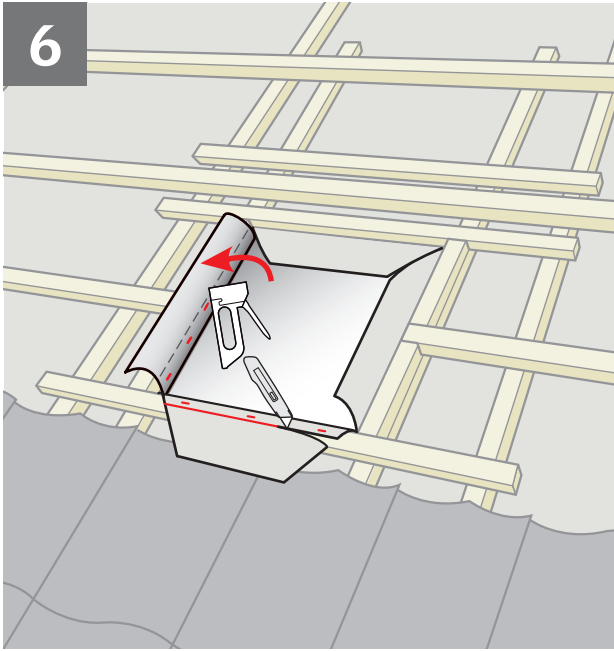


5b

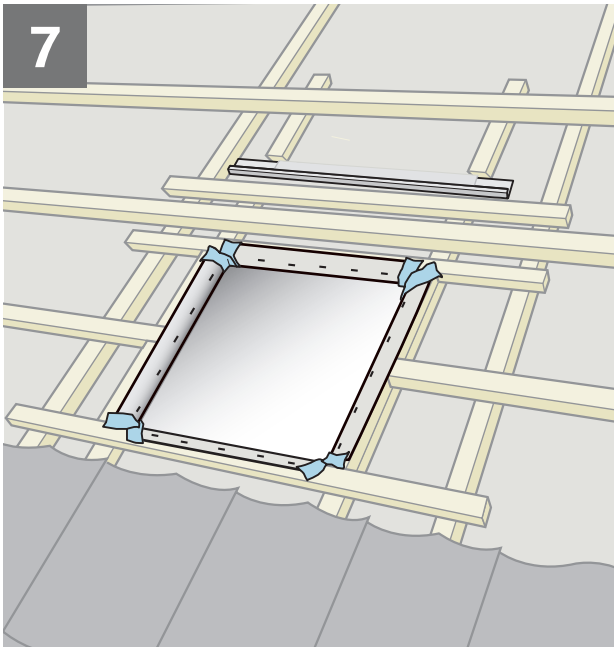


6

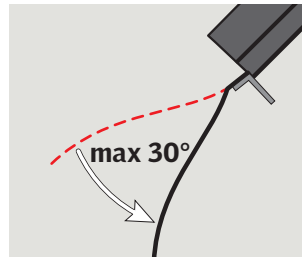
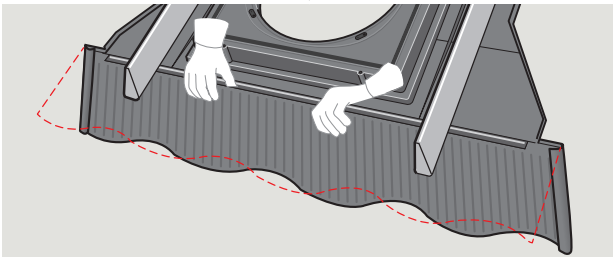
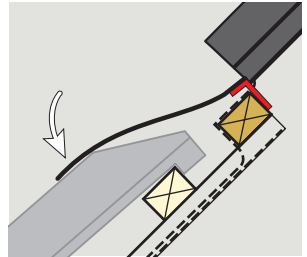
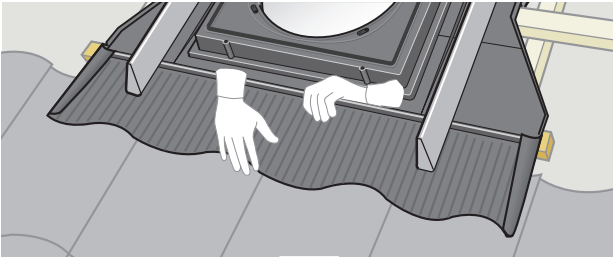
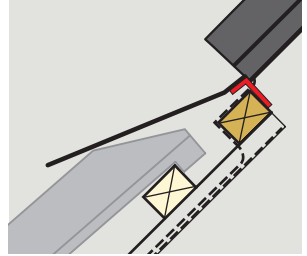
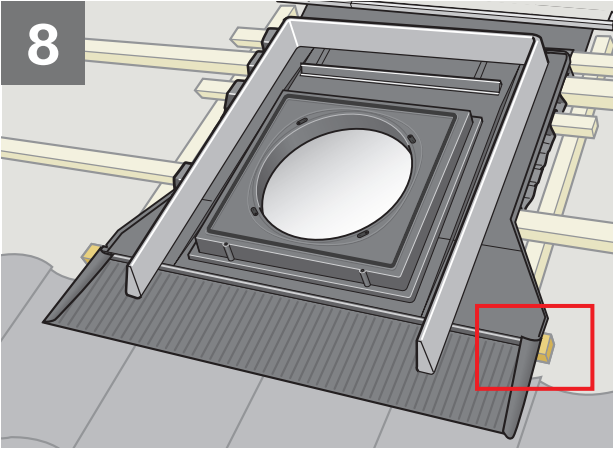
6



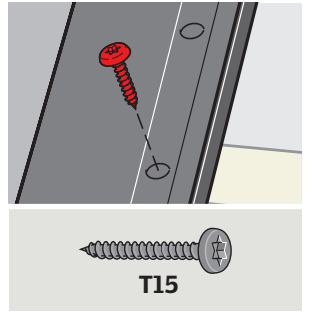
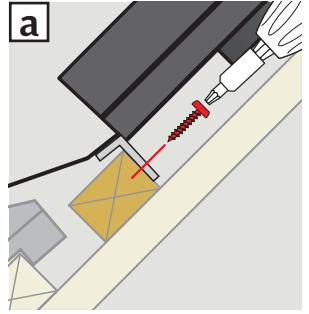
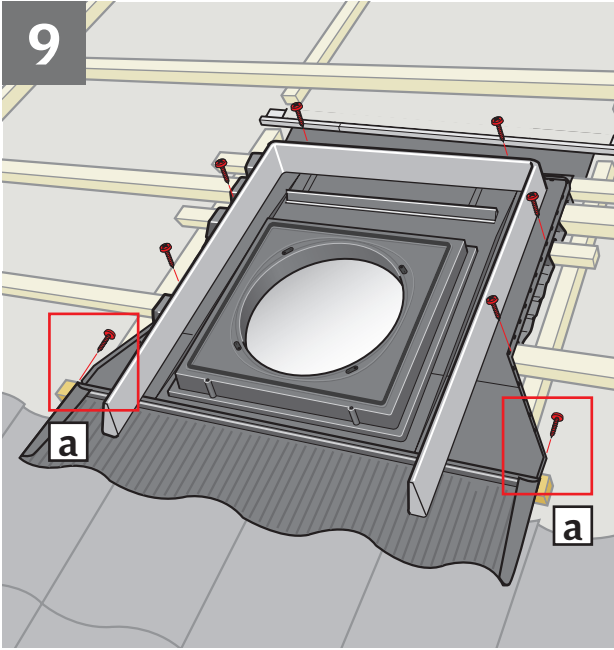
7



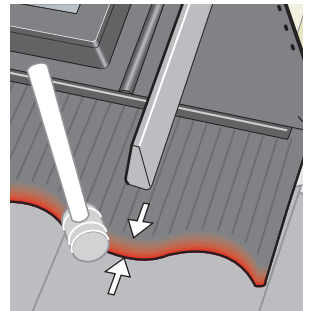
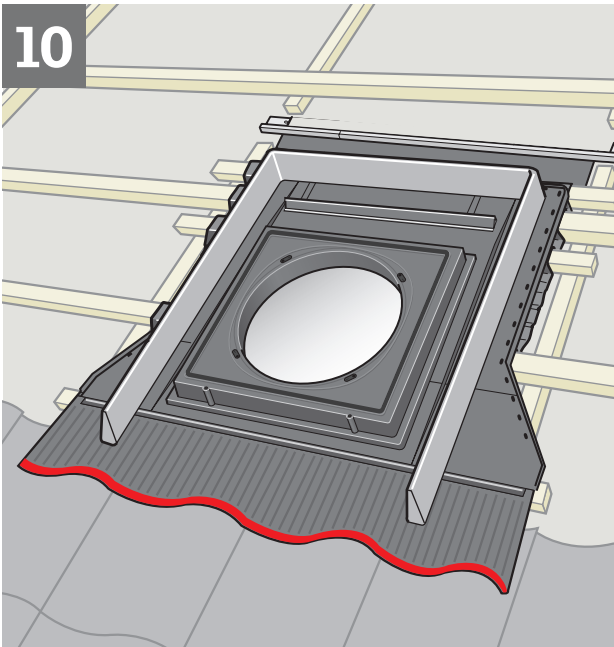
8



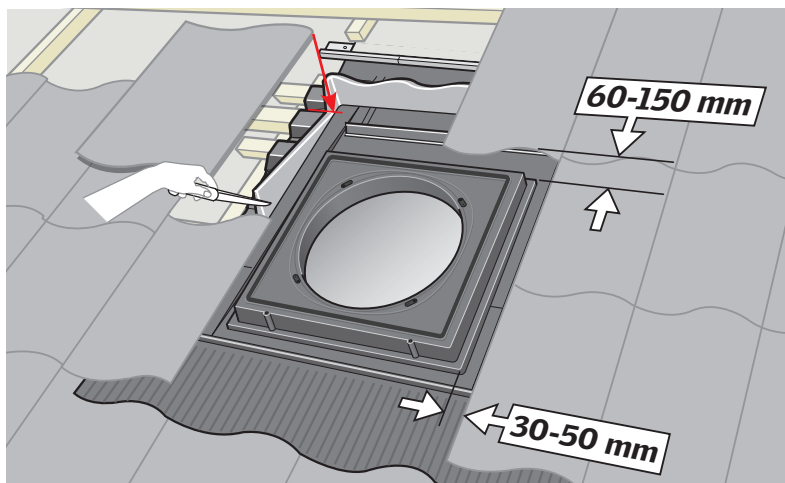
9



10

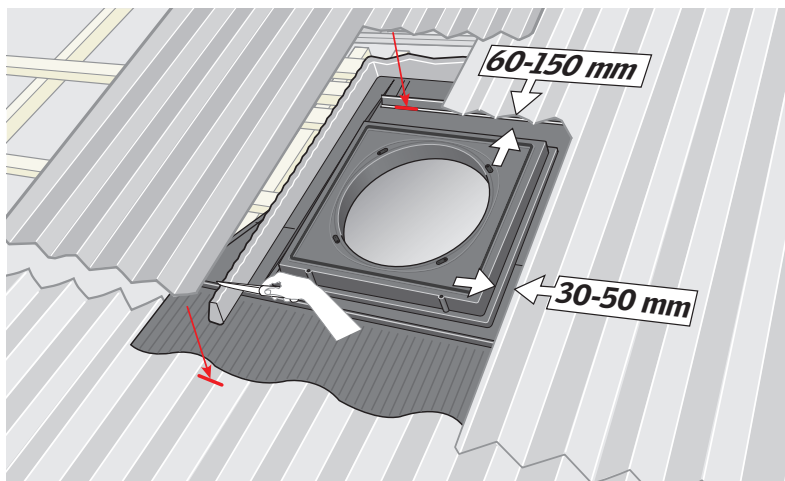
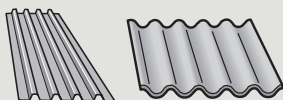


11a



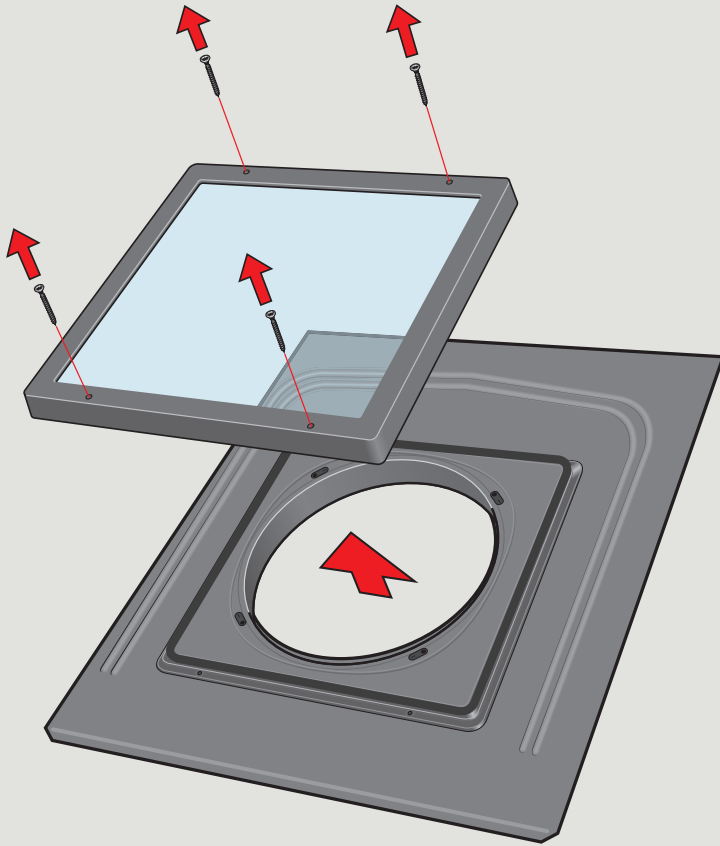
12

11b

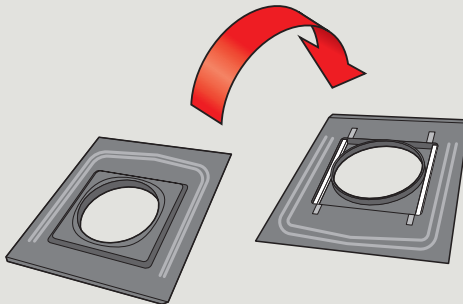


12

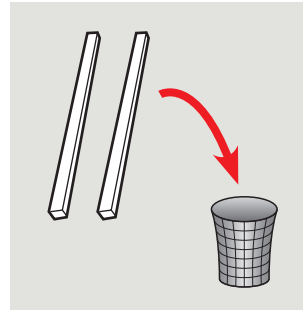
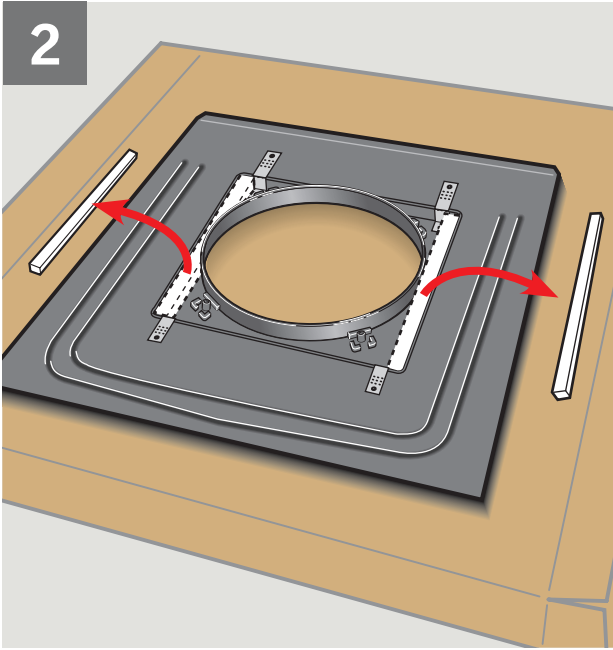
1



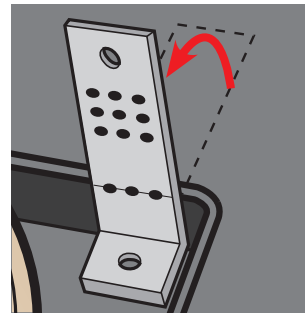
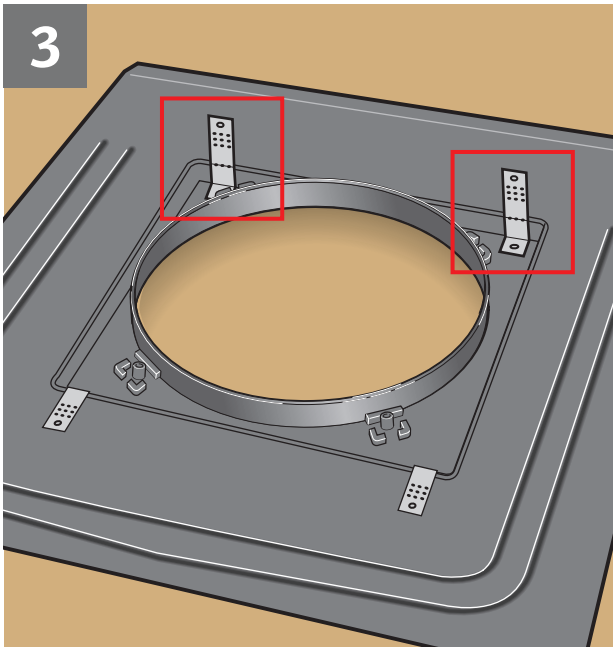
T15



2




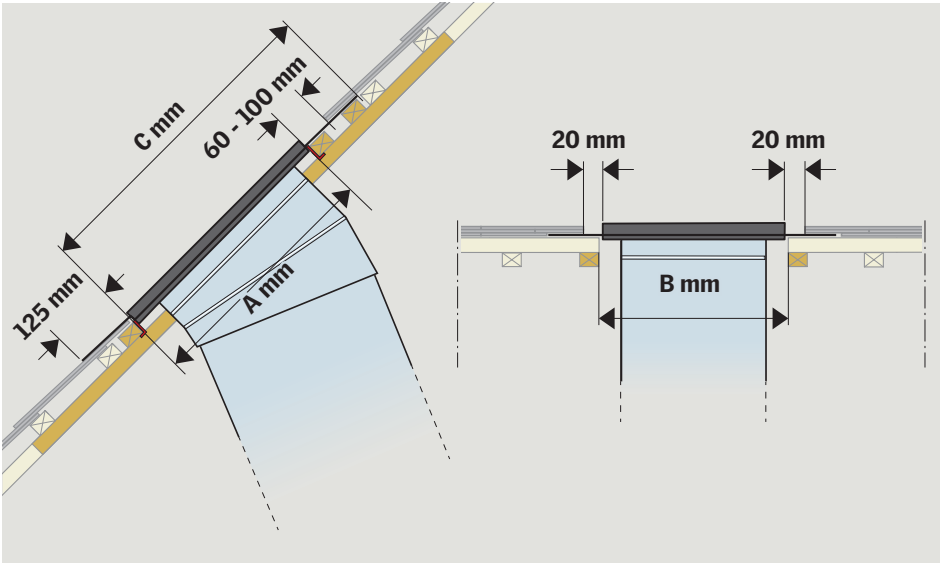
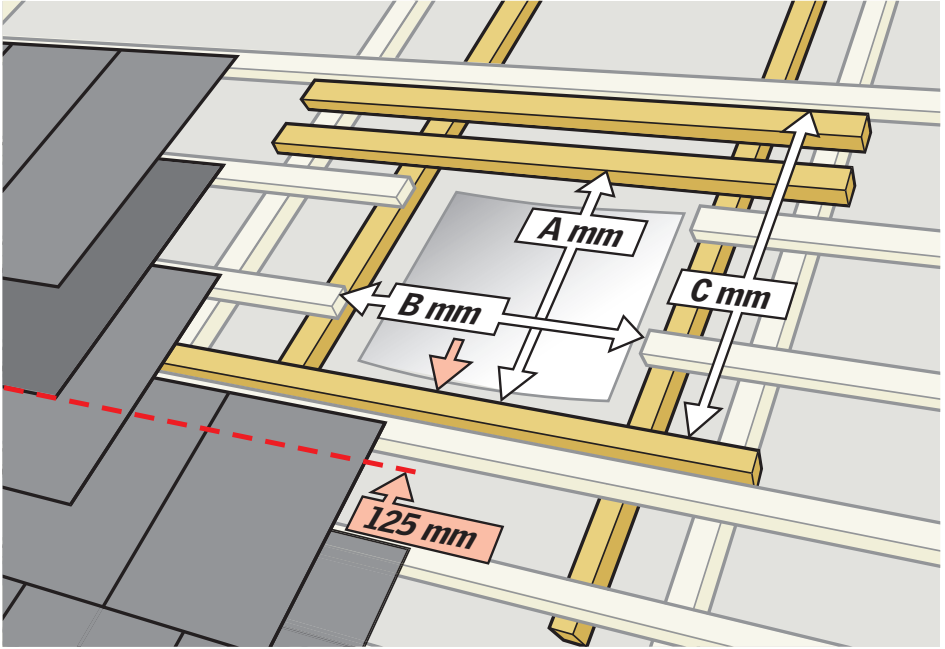
3



4a




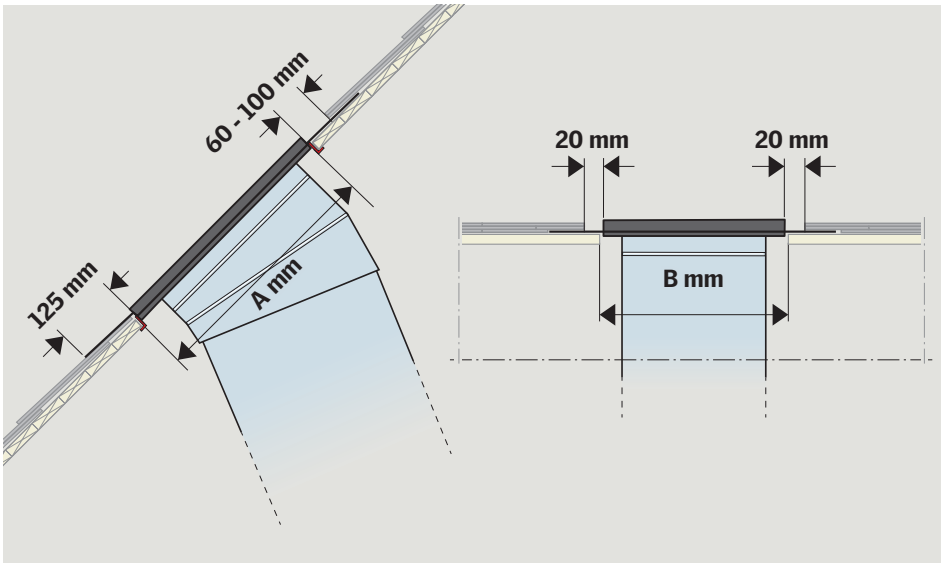
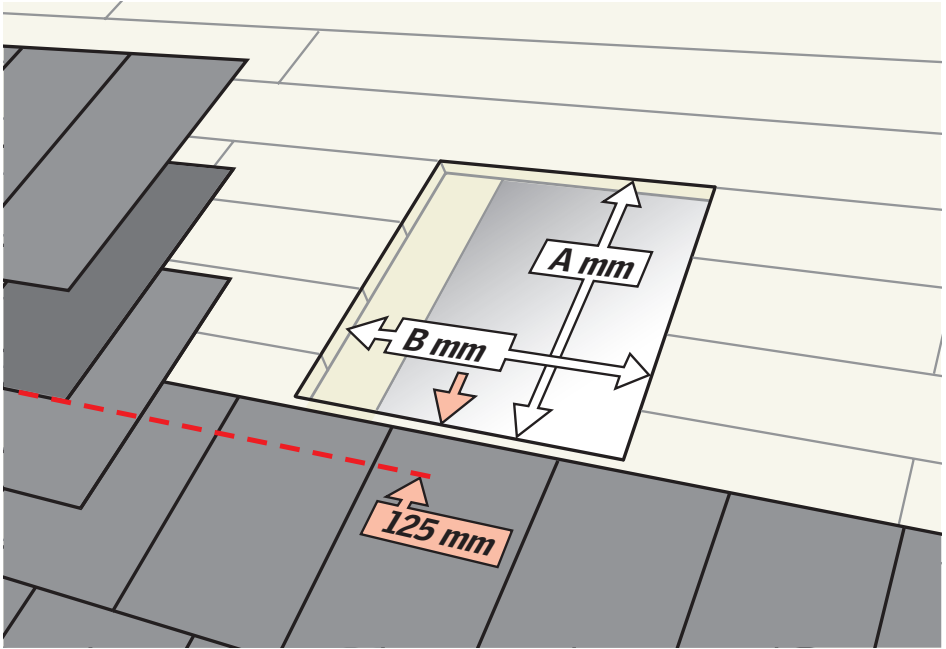
 A mm	B mm	C mm	
TLR OK10	350	340-380	550
TLR OK14	450	440-480	650



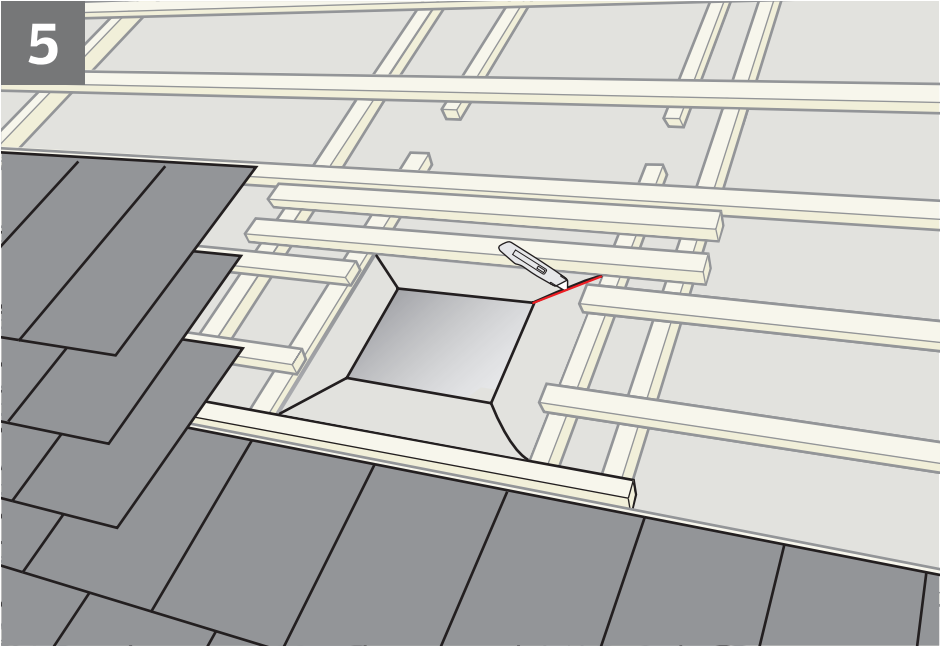
4b



	A mm	B mm
TLR OK10	350	340-380
TLR OK14	450	440-480

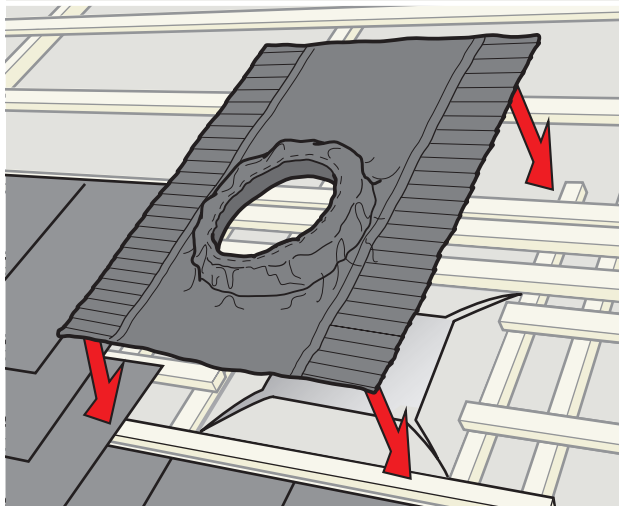
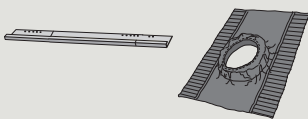


5

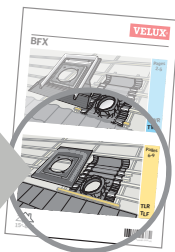


6a

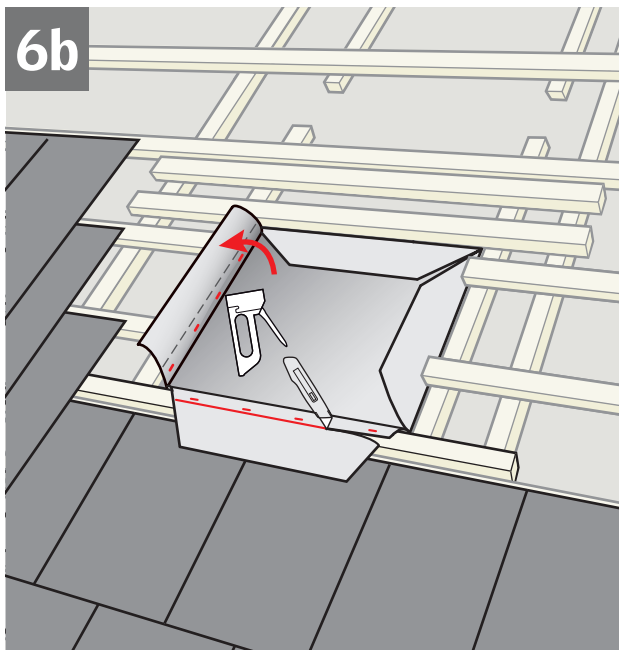
BFX

BFX

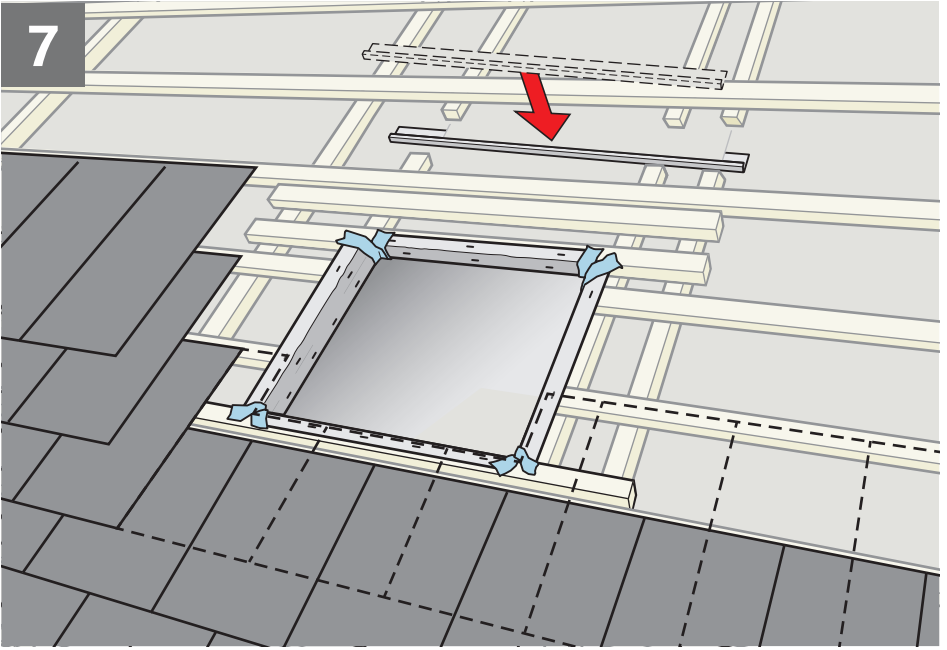


6b

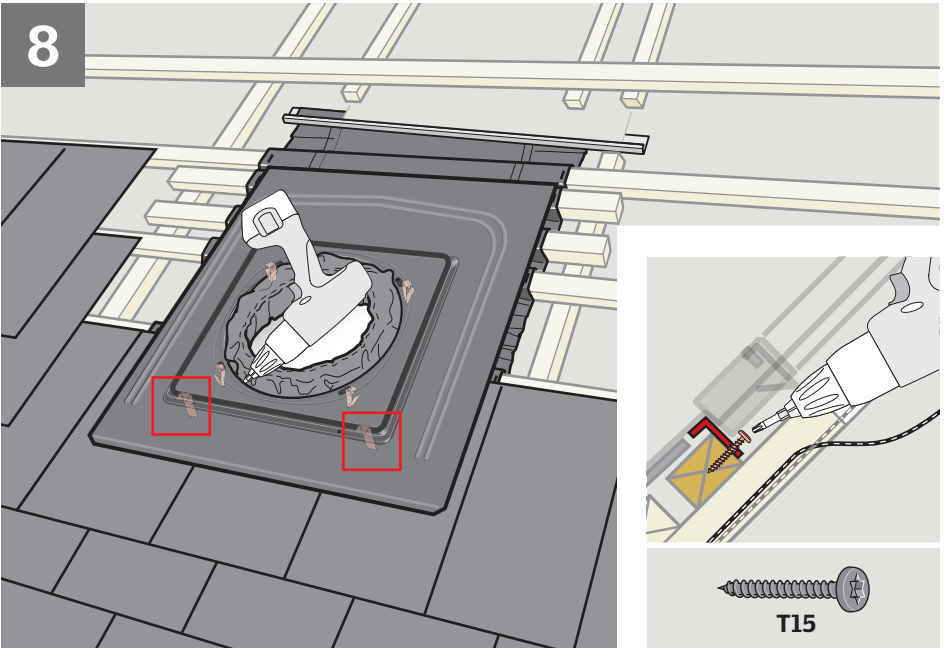


7

7

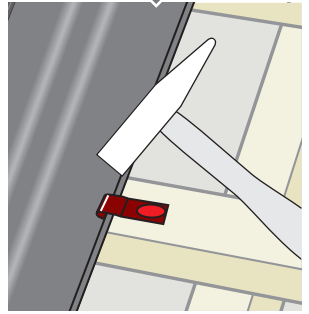
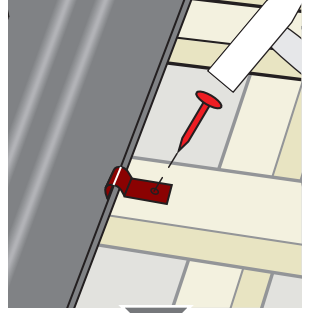
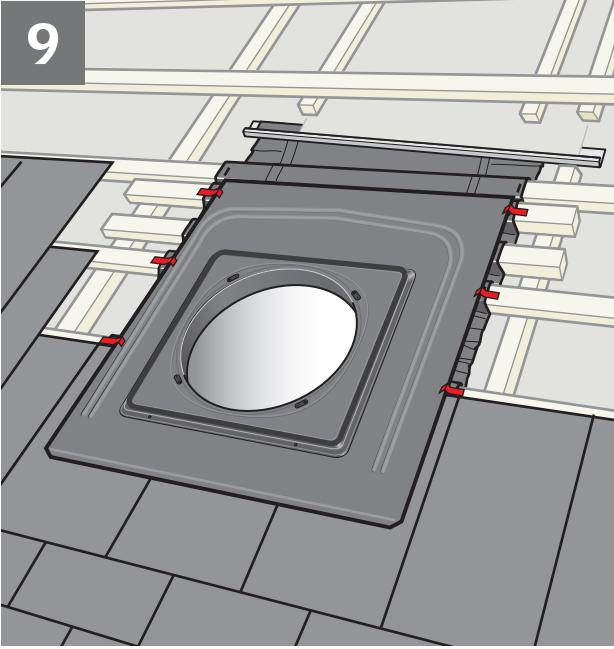


8

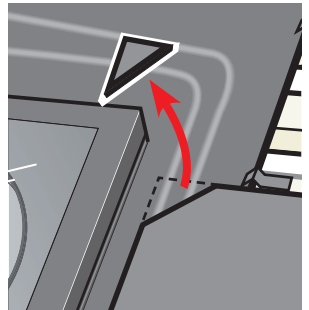
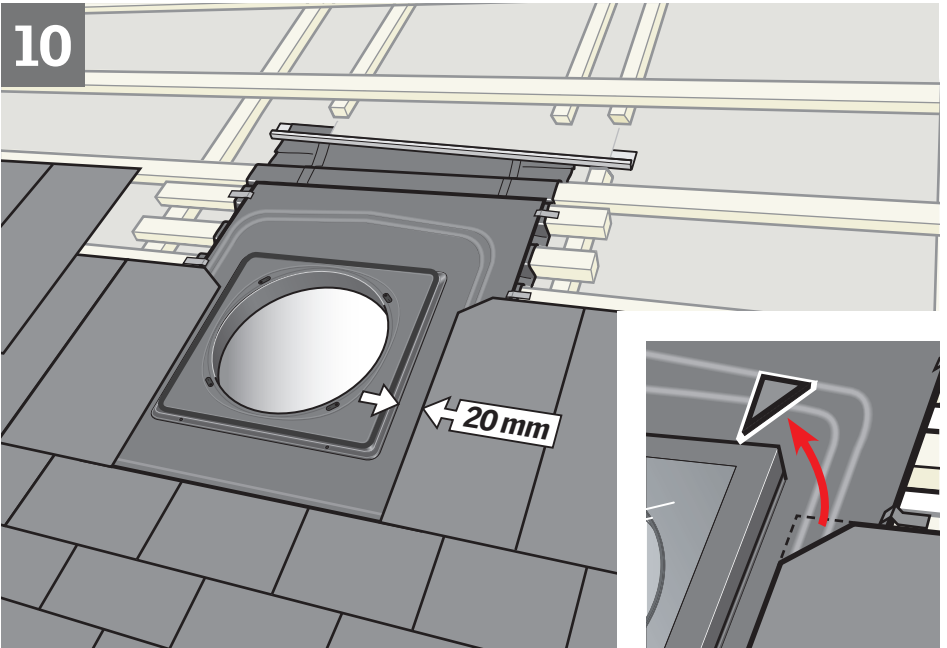


T15

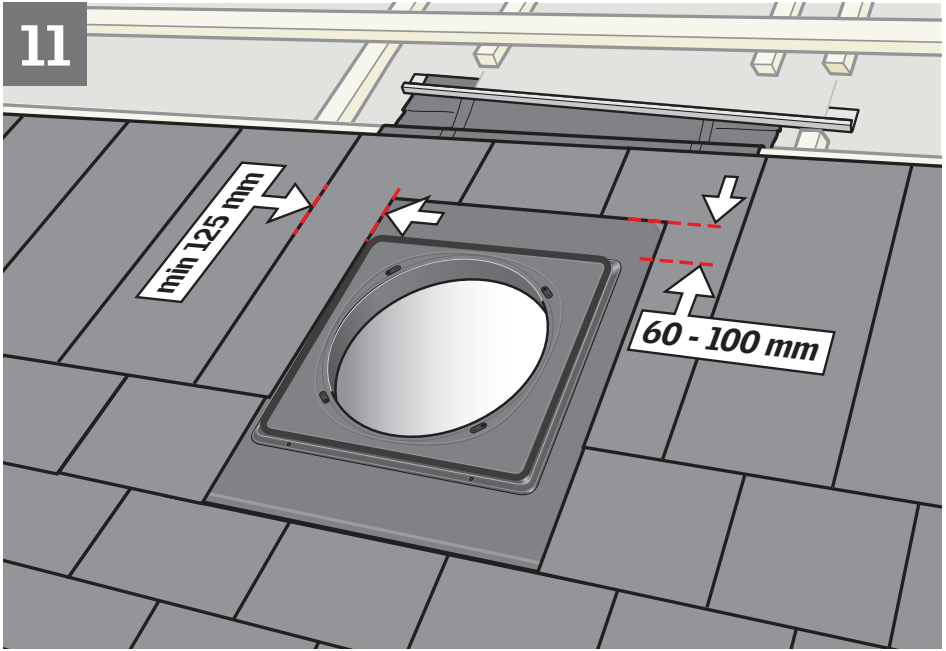
9



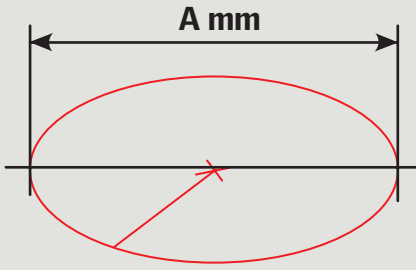
10



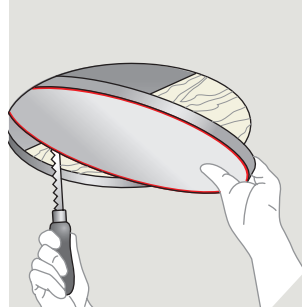
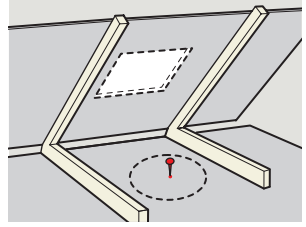
11



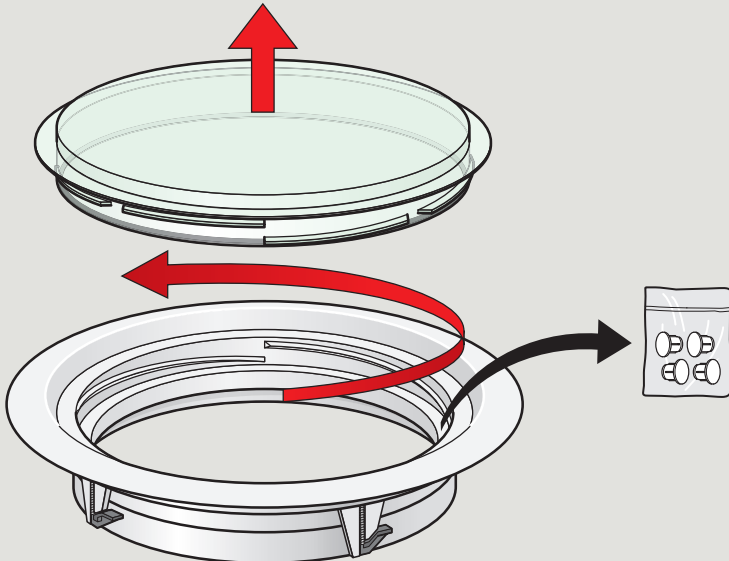
12



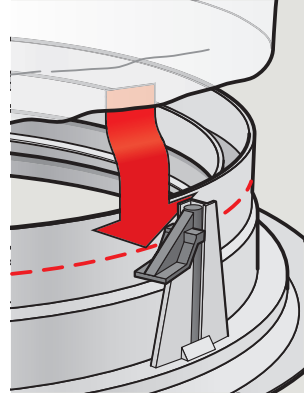
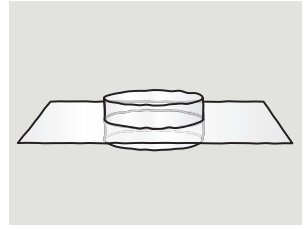
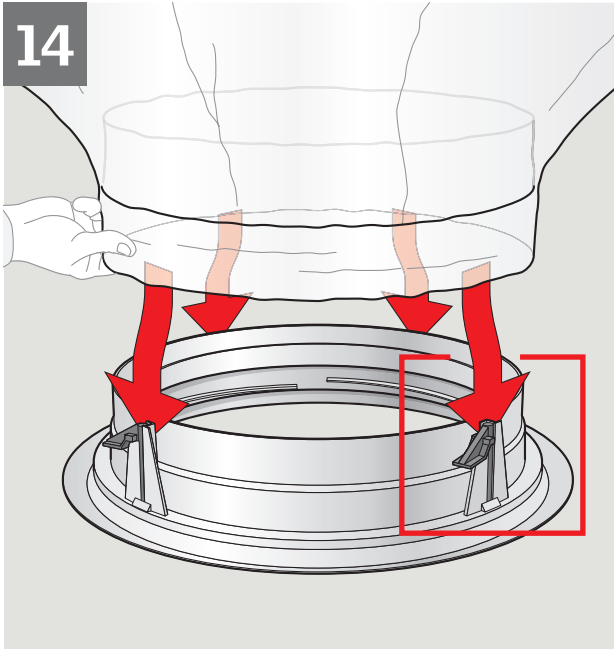
	A mm
TWR/TLR 0K10	305
TWR/TLR 0K14	410



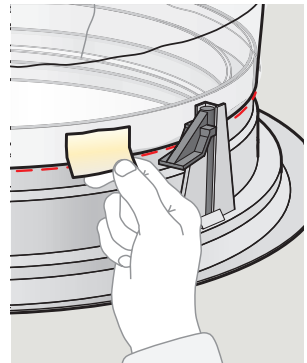
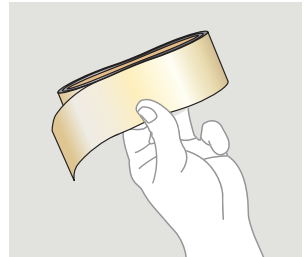
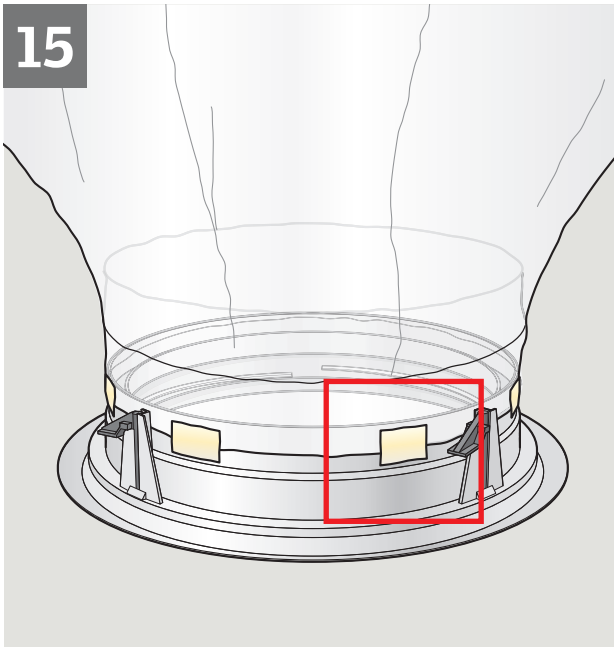
13



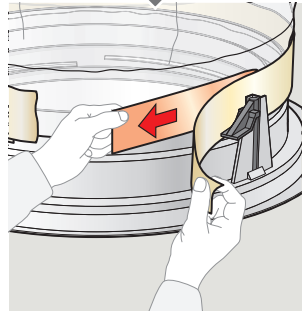
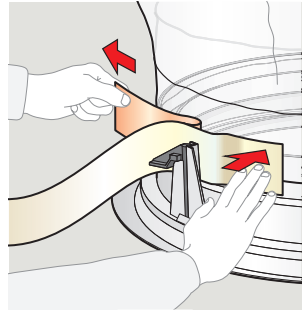
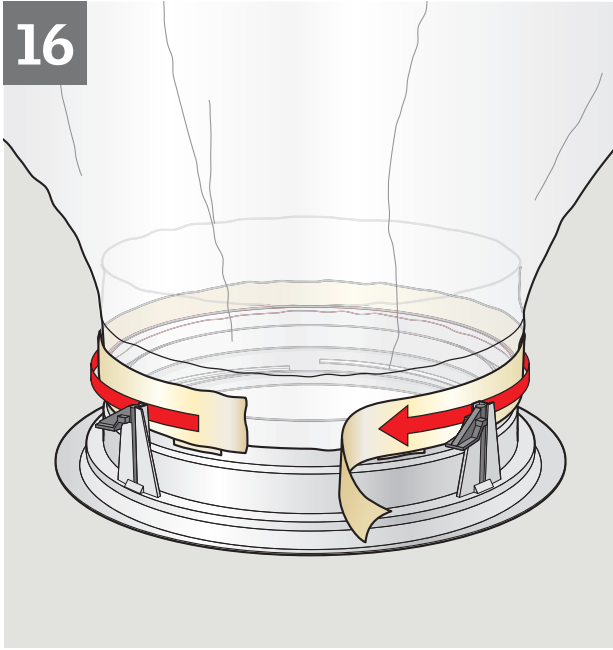
14



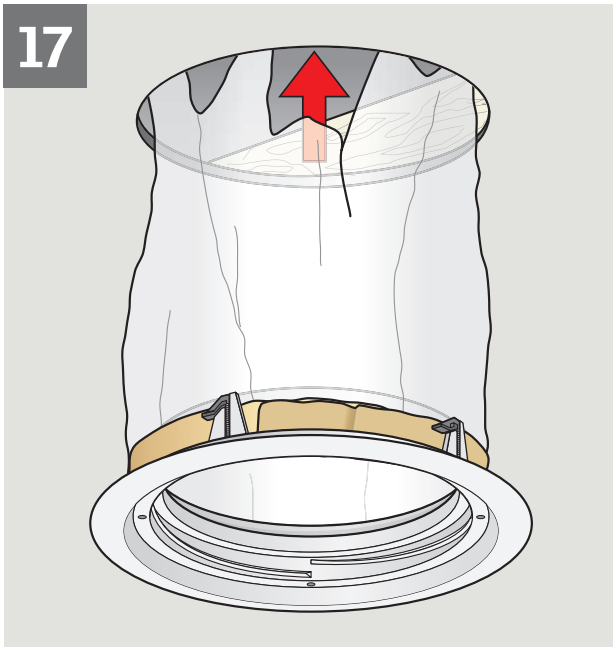
15



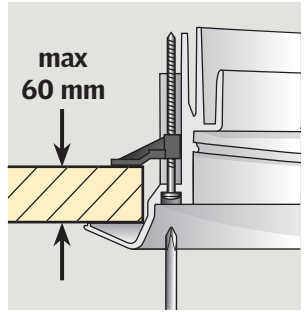
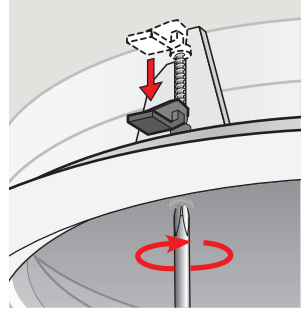
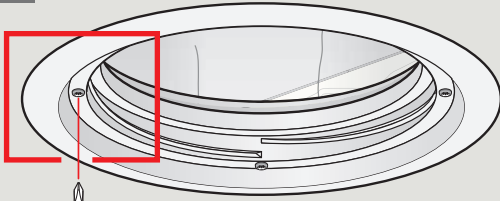
16



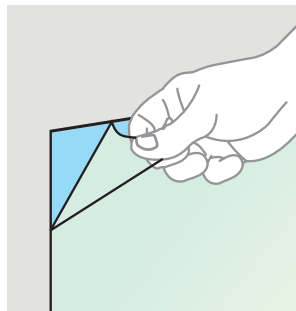
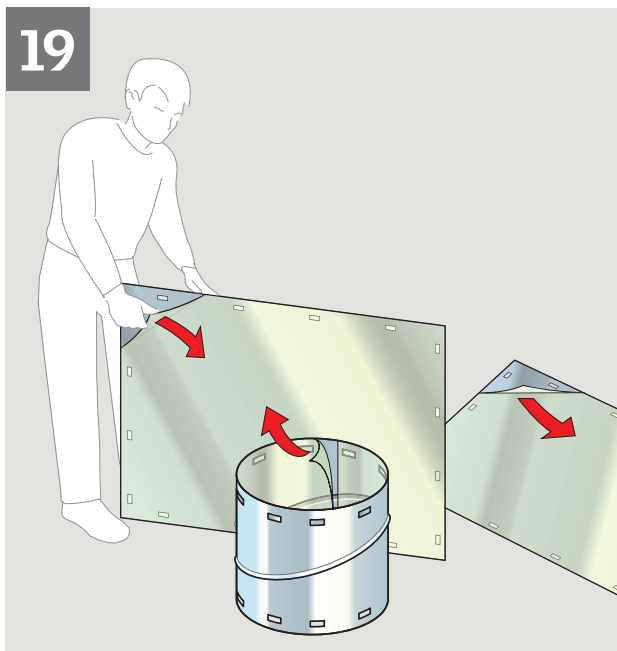
17



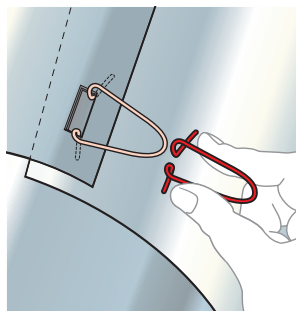
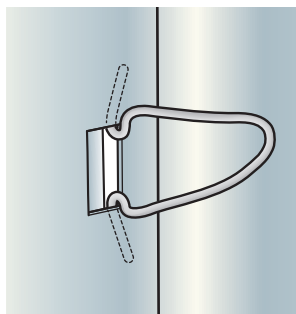
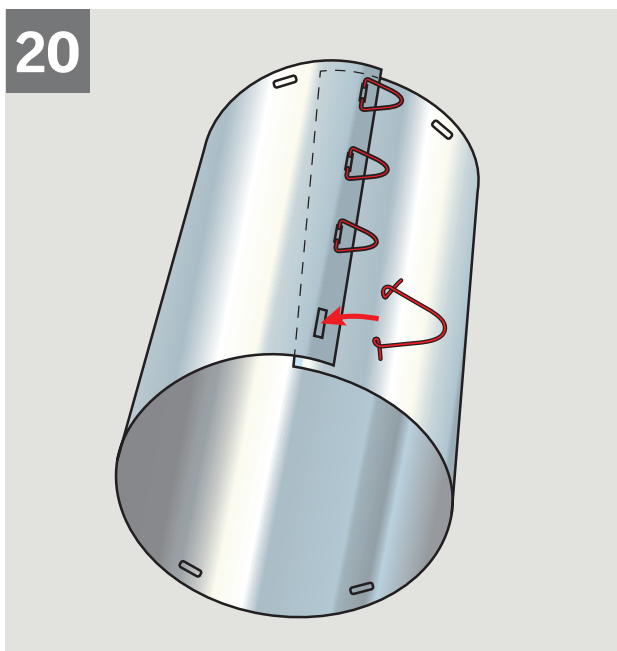
18



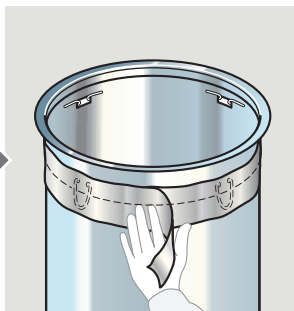
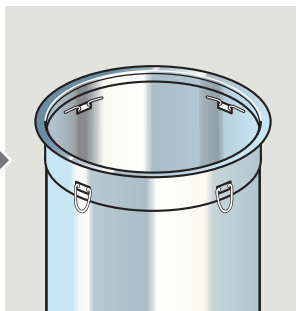
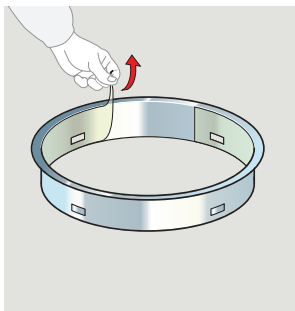
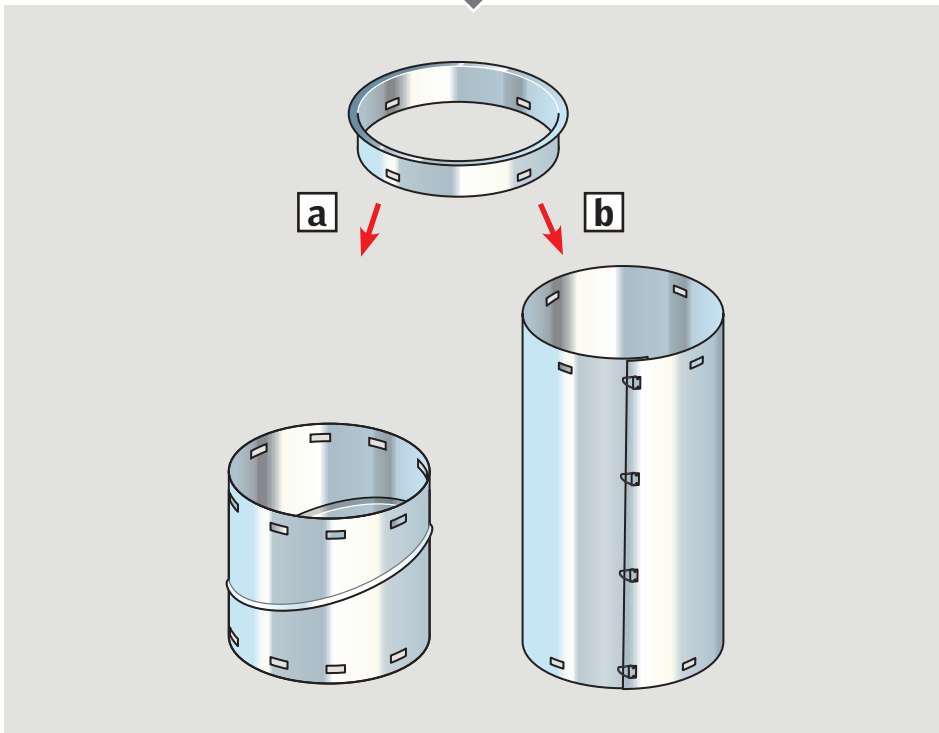
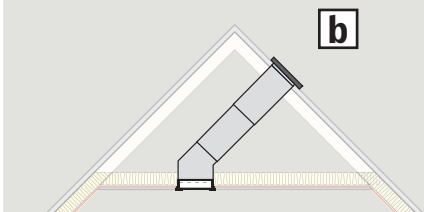
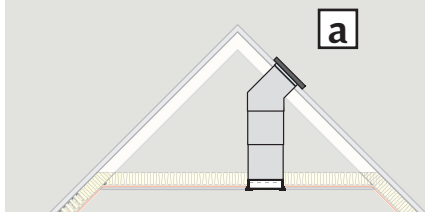
19



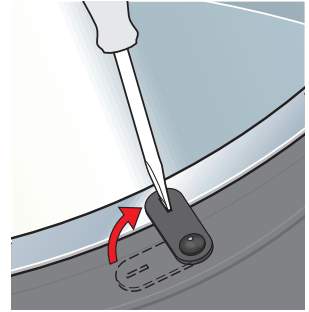
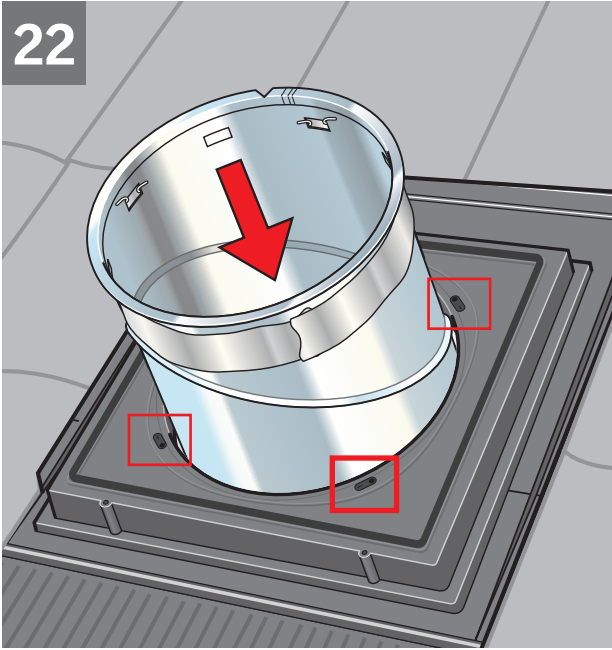
20



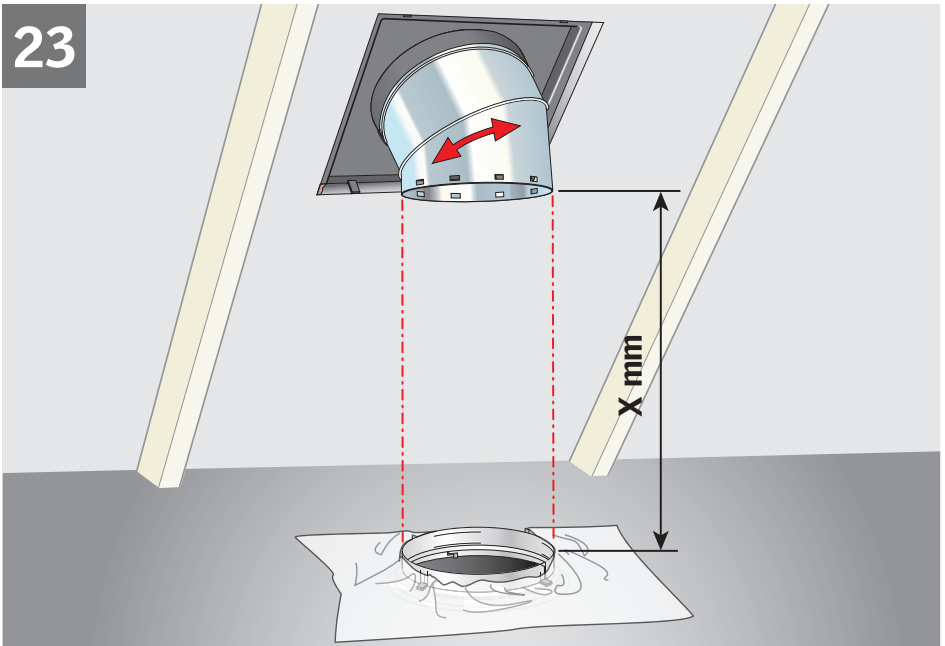
21



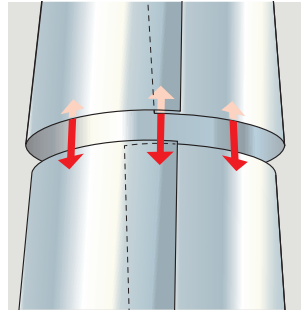
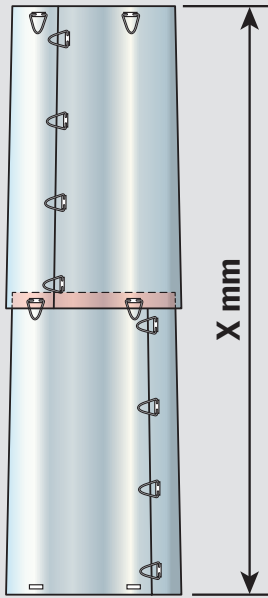
22



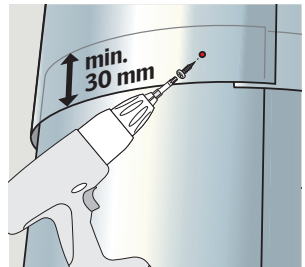
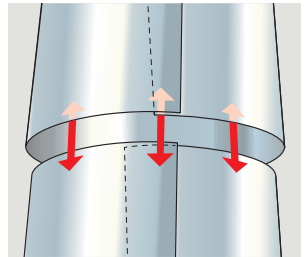
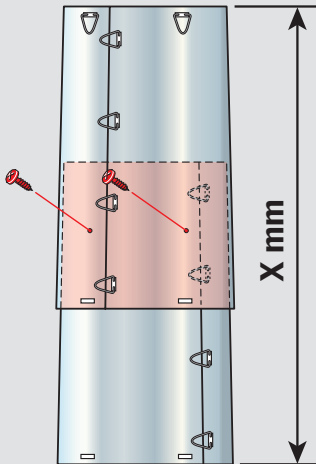
23



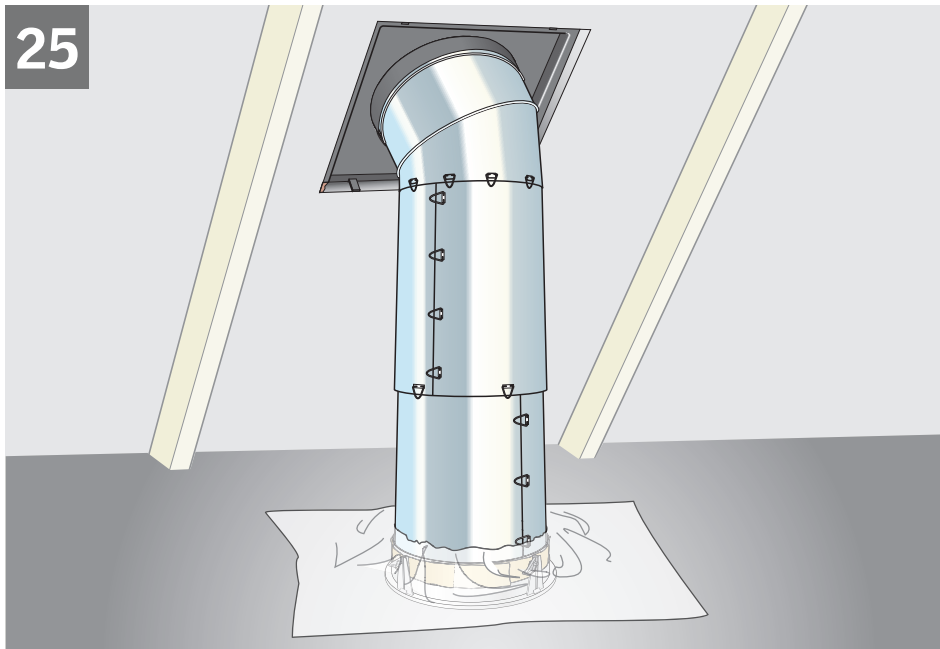
24a



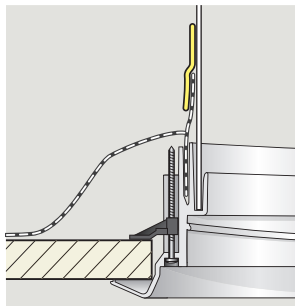
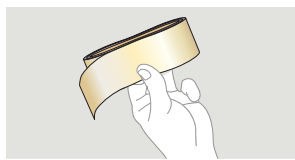
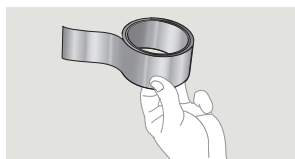
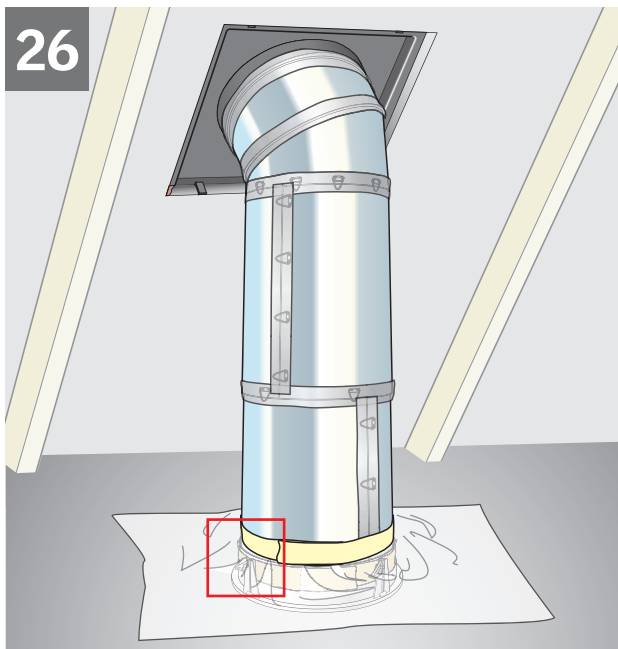
24b



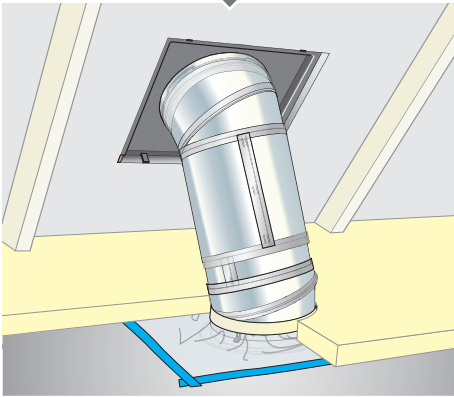
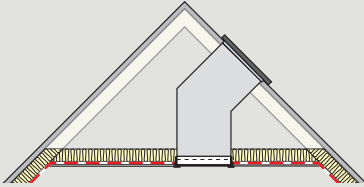
25



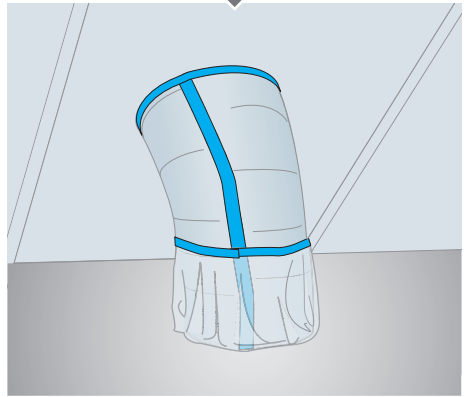
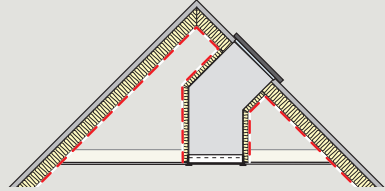
26



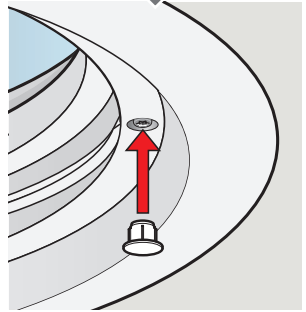
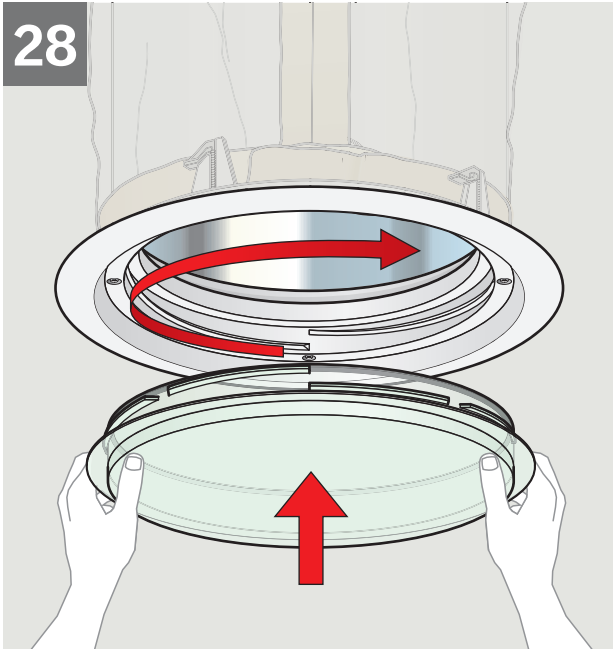
27a



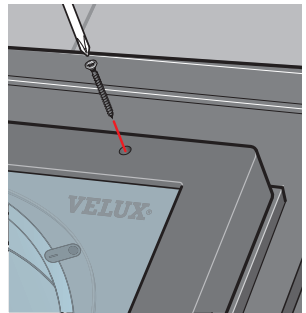
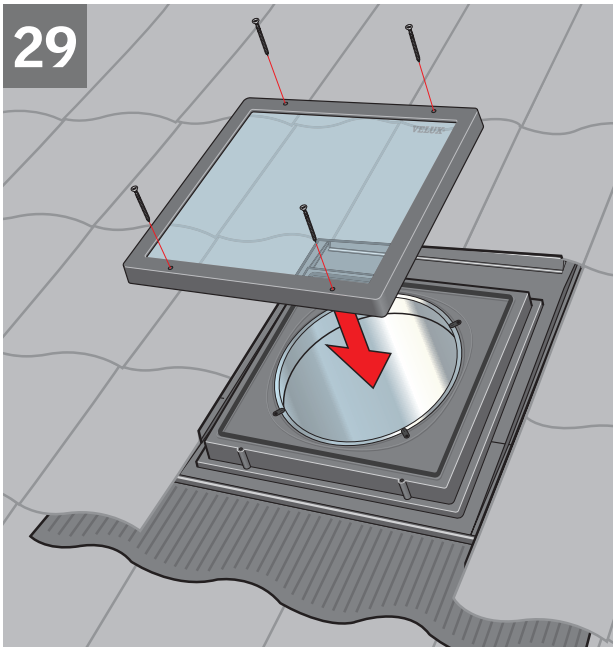
27b



28



29



T15

- AR:** VELUX Argentina S.A.
348 4 639944
- AT:** VELUX Österreich GmbH
02245/32 3 50
- AU:** VELUX Australia Pty. Ltd.
1300 859 856
- BA:** VELUX Bosna i Hercegovina d.o.o.
033/626 493, 626 494
- BE:** VELUX Belgium
(010) 42.09.09
- BG:** ВЕЛУКС България ЕООД
02/955 99 30
- BY:** Унитарное предприятие
"ВЕЛЮКС Мансардные Окна"
(017) 217 73 85
- CA:** VELUX Canada Inc.
1 800 88-VELUX (888-3589)
- CH:** VELUX Schweiz AG
062 289 44 45
- CL:** VELUX Chile Limitada
2 953 6789
- CN:** VELUX (CHINA) CO. LTD.
0316-607 27 27
- CZ:** VELUX Česká republika, s.r.o.
531 015 511
- DE:** VELUX Deutschland GmbH
01806 / 33 33 99
Festnetz: 0,20 €/Anruf
Mobilfunk: max. 0,60 €/Anruf
- DK:** VELUX Danmark A/S
45 16 45 16
- EE:** VELUX Eesti OÜ
621 7790
- ES:** VELUX Spain, S.A.
91 509 71 00
- FI:** VELUX Suomi Oy
0207 290 800
- FR:** VELUX France
0821 02 15 15
0,119€ TTC/min
- GB:** VELUX Company Ltd.
01592 778 225
- HR:** VELUX Hrvatska d.o.o.
01/5555 444
- HU:** VELUX Magyarország Kft.
(06/1) 436-0601
- IE:** VELUX Company Ltd.
01 848 8775
- IT:** VELUX Italia s.p.a.
045/6173666
- JP:** VELUX-Japan Ltd.
0570-00-8145
- LT:** VELUX Lietuva, UAB
(85) 270 91 01
- LV:** VELUX Latvia SIA
67 27 77 33
- NL:** VELUX Nederland B.V.
030 - 6 629 629
- NO:** VELUX Norge AS
22 51 06 00
- NZ:** VELUX New Zealand Ltd.
0800 650 445
- PL:** VELUX Polska Sp. z o.o.
(022) 33 77 000 / 33 77 070
- PT:** VELUX Portugal, Lda
21 880 00 60
- RO:** VELUX România S.R.L.
0-8008-83589
- RS:** VELUX Srbija d.o.o.
011 20 57 500
- RU:** ЗАО ВЕЛЮКС
(495) 640 87 20
- SE:** VELUX Svenska AB
042/20 83 80
- SI:** VELUX Slovenija d.o.o.
01 724 68 68
- SK:** VELUX Slovensko, s.r.o.
(02) 33 000 555
- TR:** VELUX Çatı Pencereleri
Ticaret Limited Şirketi
0 216 302 54 10
- UA:** ТОВ "ВЕЛЮКС Україна"
(044) 2916070
- US:** VELUX America Inc.
1-800-88-VELUX